

Features

- **Compatible with:**
All Variants of SXGA096 OLED
All variants of BIT1012 OLED Driver: A / R / AX
- **Monocular: 1 OLED Channel**
- **Low Profile**
- **Flexible, Easy Routing**
- **Industrial Temperature Range (-40~70C)**

Applications

- **Head Mounted Displays (HMD)**
- **Wearable Devices**
- **Virtual / Augmented Reality (VR / AR)**
- **Embedded Viewers**
- **Electronic Viewfinder (EVF)**
- **Instrumentation**
- **Hobby**

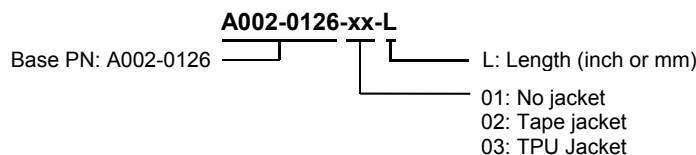
General Description

The A002-0126 is a configurable high-performance low-cost extender kit for use between the BIT1012A OLED Driver and SXGA096 OLED. Based on custom-length flexible cable, the OLED can be remotely located from the BIT1012A at various distances supporting a wide range of applications. The use of cable allows arbitrary bending and flexing to adapt to mechanically complex installations.

The kit consists of two small cable adapter circuit boards and a connecting cable. The cable, made to customer specified length, is available in 3 finishes: no jacket, acetate tape jacket, and with extruded TPU jacket.

In addition, the adapter circuit boards have removable mounting features to minimize overall size to fit severely space-constrained applications.

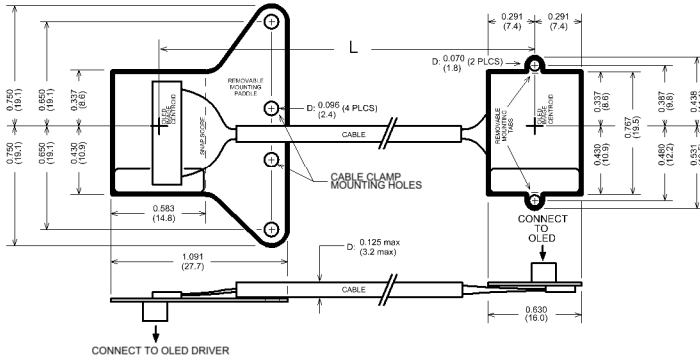
Orderable Part Numbers



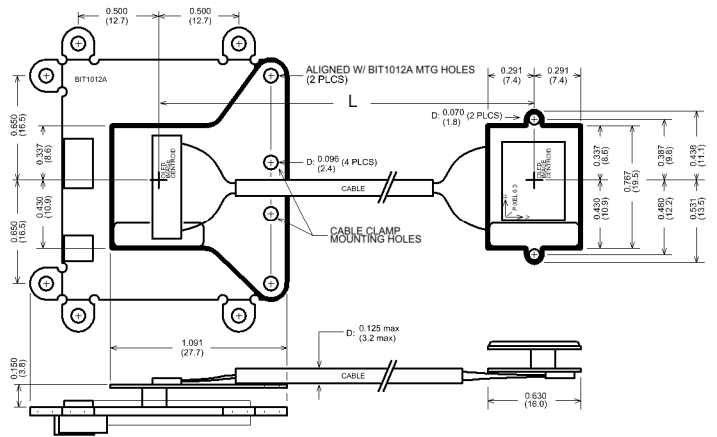
Examples:

A002-0126-01-76mm	76 mm length with no jacket
A002-0126-02-4.5in	4.5 inch length with tape jacket
A002-0126-03-305mm	305 mm length with TPU jacket

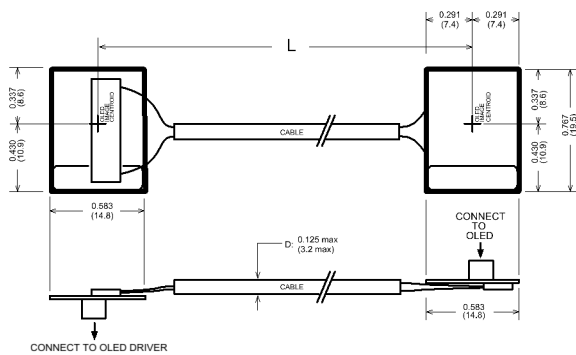
Mechanical Outline



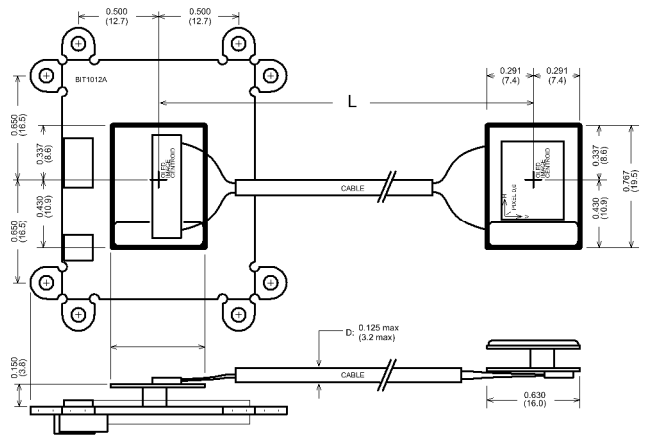
Full Outline



Integrated with BIT1012A



Minimized Outline



Integrated with BIT1012A

Notes:

1. All dimensions in inches (mm)
2. "L" = effective OLED remote distance, +/- 0.200 (5.00)
3. Use caution when detaching removable features to prevent damage to the cable adapter board(s).

Revision History

Rev	Date	Description
A	04/16/21	Initial Release
B	05/06/21	Added length tolerance

Contact

Bild Innovative Technology LLC
2656 W Montrose Ave Suite 203
Chicago, IL 60618
(773) 697-9345
(760) 450-6633
pbeerdeke@bildinnotech.com
www.bildinnotech.com